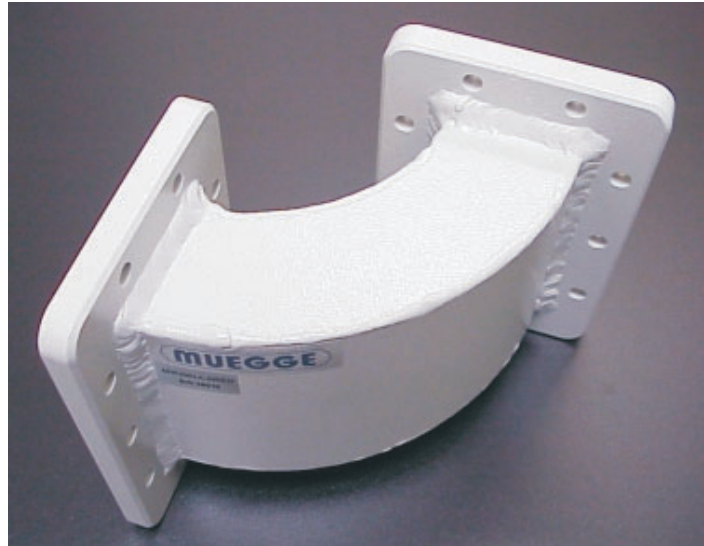


# Industrial Microwave Power

Waveguides



**E-BEND 90°**

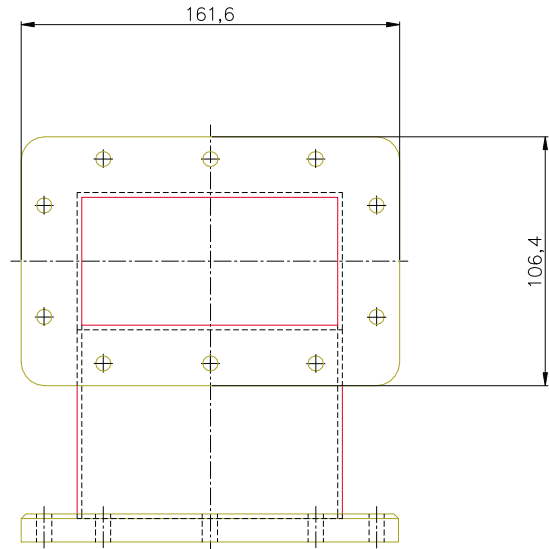
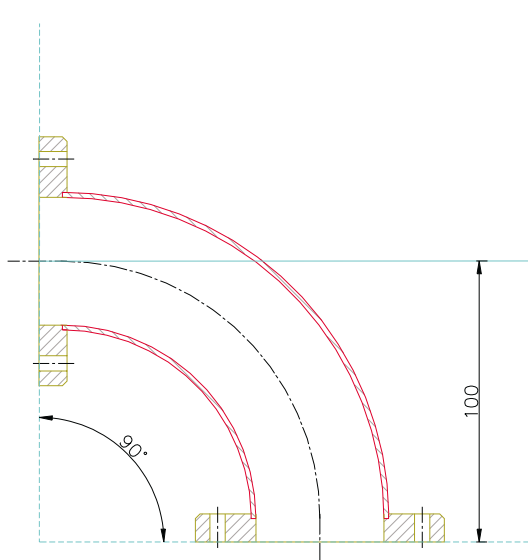
TYPE: WG43090E

**FEATURES:**

- Low VSWR
- Low Insertion Loss
- Full Waveguide band performance

# E-Bend 90° TYPE: WG43090E

## Waveguides



### Specification:

- Angle: 90°
- Radius: 100mm
- Frequency: 2,45GHz +/- 30MHz
- Power: 30KW
- Waveguide: WR430
- Flange: UDR22
- Material: Aluminium
- Finish: RAL 7035
- Weight: appr. G

### Options:

- |                   |                   |                 |
|-------------------|-------------------|-----------------|
| - Material:       | - Design:         | Finish:         |
| - aluminium       | - special flanges | - chromated     |
| - copper          | - special finish  | - etched        |
| - brass           | - arbitrary angle | - silver plated |
| - stainless steel | - special radius  | - painted       |

Replaces Type Number:

LINE 02-03-A